

www.china-supreme.com

# 为时尚产业 提供智能制造解决方案

*Intelligent manufacturing  
Solutions for fashion industries*

## SP-KN01 KN 切片机 Cutting Machine



KN 口罩 MASK

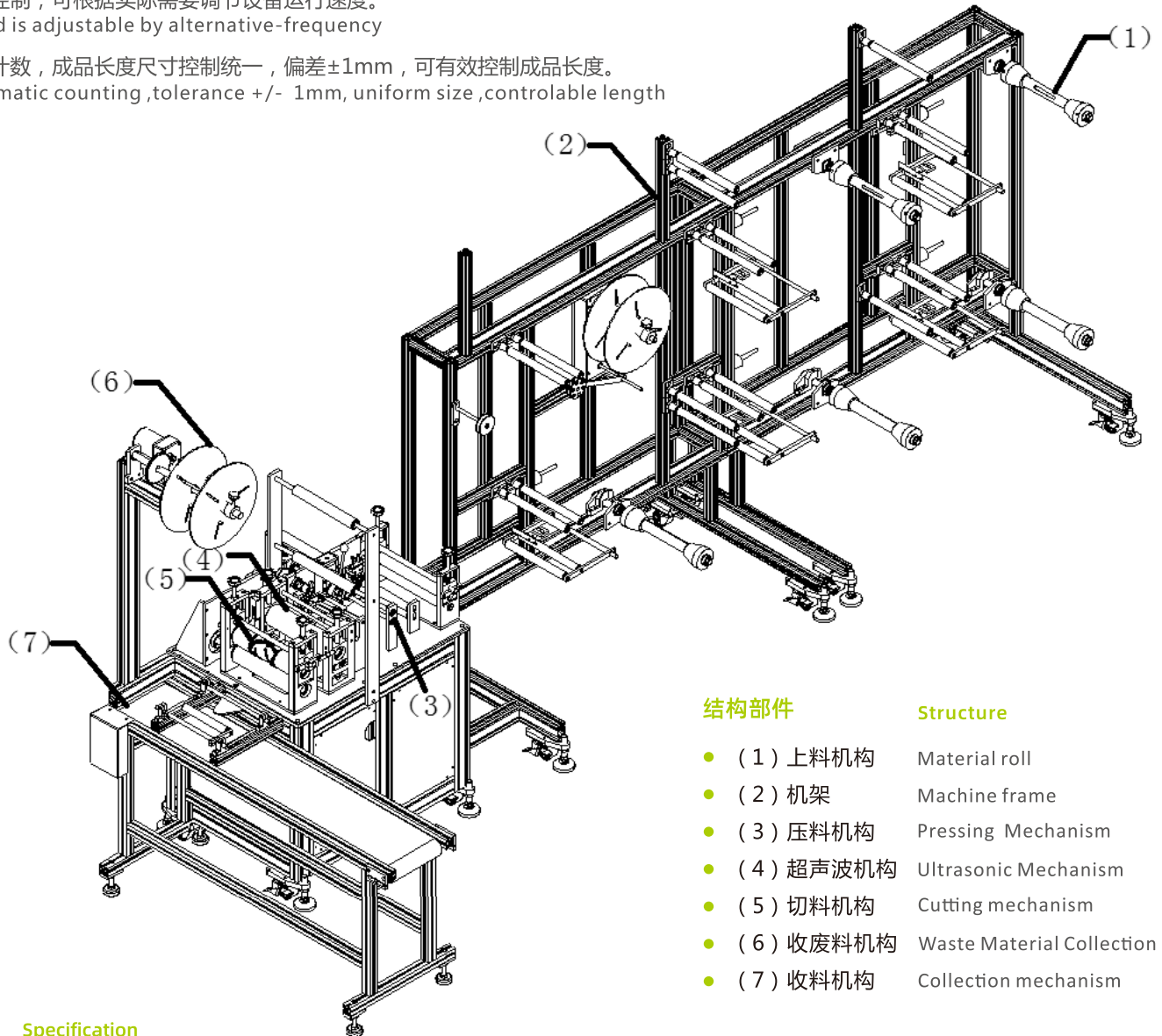
自动送料、压片成型、上鼻梁条、蝶形切片、废料自动回收、全程自动化操作。效率达80片/分钟  
Automatic feeding ,press to shape ,build-in nose bridge ,left-right cut ,waste material collection -full automatic operation .80 pcs/min



**SUPREME**  
创新 · 智造  
Innovation & Creation

## 产品特点 Features

- 伺服系统控制，设备稳定性高，故障率低；  
Servo control system improves efficiency and decrease defect
- 拉筒入料，定位更精准，可使原材料宽度控制到最小，节约成本。  
Feeding by roll improves accuracy of position, minimizes width of material and saves cost
- 变频控制，可根据实际需要调节设备运行速度。  
Speed is adjustable by alternative-frequency
- 自动计数，成品长度尺寸控制统一，偏差±1mm，可有效控制成品长度。  
Automatic counting, tolerance +/- 1mm, uniform size, controllable length



### 结构部件

### Structure

- (1) 上料机构 Material roll
- (2) 机架 Machine frame
- (3) 压料机构 Pressing Mechanism
- (4) 超声波机构 Ultrasonic Mechanism
- (5) 切料机构 Cutting mechanism
- (6) 收废料机构 Waste Material Collection
- (7) 收料机构 Collection mechanism

## 规格 Specification

型号 Model	KN-01
电机功率 Power	1500w
设备尺寸 Size	4700*1500*2000mm
超声波 Ultrasonic	20KHZ
电源 Power	单相
气压 Air Pressure	0.5Mpa

以上型号仅供参考，详细情况请咨询当地经销商。  
The above types are only for reference, and you can consult local distributors for details.

为了改良，产品规格若有变更，恕不另行通知。为安全起见，使用之前，请仔细阅读使用手册。  
Specifications are subject to change for improvement without further notice. Please carefully read the operating manual before use for safety.

www.china-supreme.com

# 为时尚产业 提供智能制造解决方案

*Intelligent manufacturing  
Solutions for fashion industries*

## SP-KN03 KN 焊耳带机 KN Earloop Welding



KN 口罩 MASK

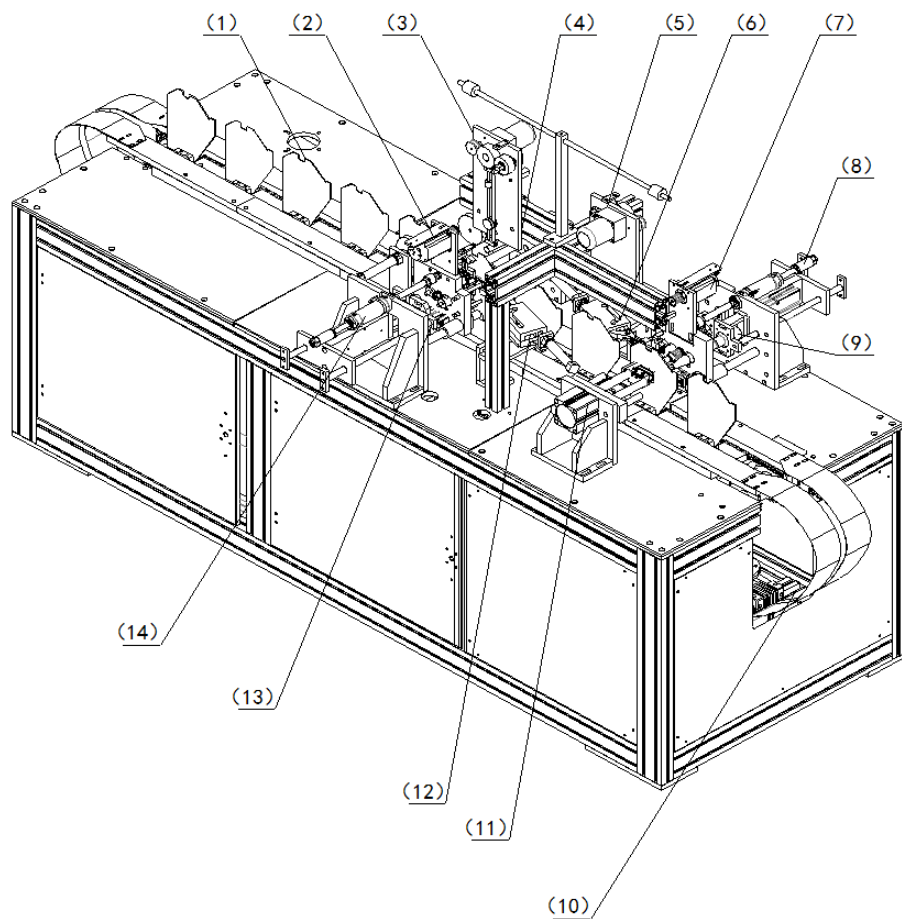
自动送料、超声波点焊接、自动收料，一次性完成。**效率达50片/分钟**  
Automatic feeding ,ultrasonic welding and automatic collection in one time ,50pieces/min



**SUPREME**  
创新 · 智造  
Innovation & Creation

## 产品特点 Features

- 伺服系统操作，设备稳定性高，故障率低；  
Servo system improves stability, low defect
- 自动计数，可有效控制生产效率和生产进度；  
Auto-counting controls productivity efficiency and process
- 耳带定位精准，超声波焊接，一个口罩四个焊点一次性完成。  
Accurate earloop position and ultrasonic four points welding



## 结构部件 Structure

- (1) 口罩定位机构  
Mask Positioning
- (2) 1#夹耳带旋转机构  
Earloop rotating mechanism
- (3) 1#穿耳带机构  
Earloop threading
- (4) 1#送料板定位机构  
Feeding plate Position
- (5) 2#穿耳带机构  
Earloop Threading
- (6) 2#剪耳带机构  
Earloop Cut
- (7) 2#夹耳带旋转机构  
Earloop Rotating
- (8) 2#推超声波机构  
Ultrasonic pushing mechanism
- (9) 2#超声波机构  
Ultrasonic mechanism
- (10) 传送链机构  
Feeding Chain Mechanism
- (11) 2#送料板定位机构  
Feeding Plate position
- (12) 1#剪耳带机构  
Earloop cut mechanism
- (13) 1#超声波机构  
Ultrasonic mechanism
- (14) 1#推超声波机构  
Ultrasonic pushing mechanism

## 规格 Specification

型号 Model	KN-03
电机功率 Power	2500W
设备尺寸 Size	2320*1120*1600mm
耳带长度 Earloop Length	170mm
超声波 Ultrasonic	20KHZ
电源 Phase	单相 single phase
气压 Air Pressure	0.5Mpa

以上型号仅供参考，详细情况请咨询当地经销商。  
The above types are only for reference, and you can consult local distributors for details.

为了改良，产品规格若有变更，恕不另行通知。为安全起见，使用之前，请仔细阅读使用手册。  
Specifications are subject to change for improvement without further notice. Please carefully read the operating manual before use for safety.

www.china-supreme.com

# 为时尚产业 提供智能制造解决方案

*Intelligent manufacturing  
Solutions for fashion industries*

## SP-KN02 KN 封口机 KN Sealing Machine



KN 口罩 Masks



圆盘式六工位送料、蝶形左右开口边超声波压合封边、自动收料。效率达40片/分钟

Rotating feeding with six positions ,ultrasonic sealing on left&right opening,automatic collection. 40 pieces/min

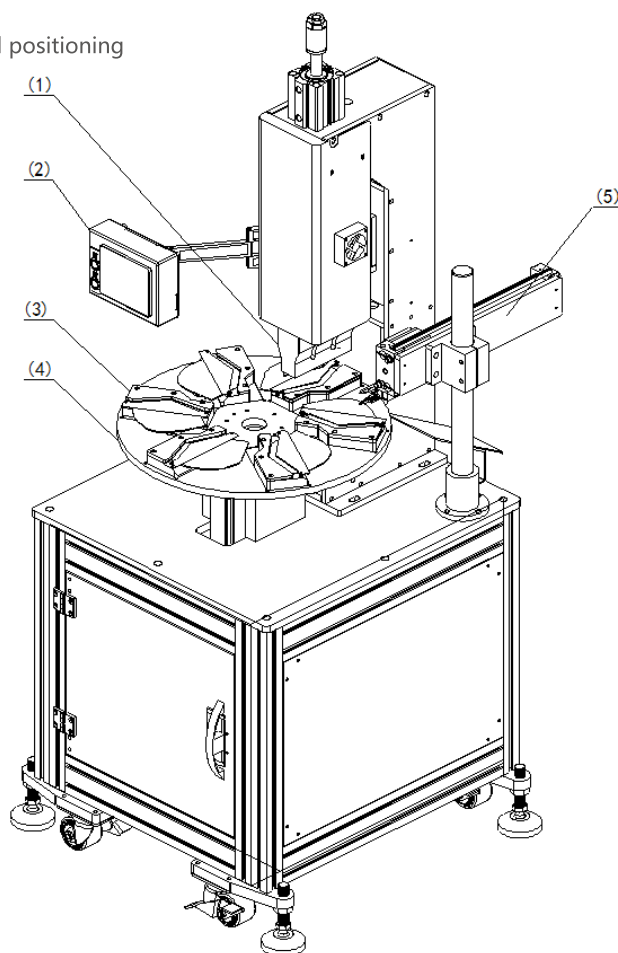


**SUPREME**  
创新 · 智造  
Innovation & Creation



## 产品特点 Features

- 伺服系统操作，设备稳定性高，故障率低；  
Servo System stabilizes device ,low defect
- 采用超声波压合封边，粘合牢固性强；  
Ultrasonic Sealing strengthen the tightness
- 圆盘式送料，人工只需放料、自动收料，效率高；  
Rotating feeding improves efficiency ,manual position ,feeding with improved efficiency
- 封边模具定位，自动计数。  
Auto-counting and sealing mould positioning



## 结构部件 Structure

- (1) 超声波机构  
Ultrasonic Mechanism
- (2) 操作面板机构  
Operation Panel
- (3) 口罩定位机构  
Mask Position Mechanism
- (4) 旋转工作台机构  
Rotating working station
- (5) 收料机构  
Collection Mechanism

## 规格 Specification

型号 Model	KN-02
电机功率 Power	2500W
设备尺寸 Size	725*653*1470mm
超声波 Ultrasonic	20KHZ
电源 Power	单相 Single Phase
气压 Airpressure	0.5Mpa

以上型号仅供参考，详细情况请咨询当地经销商。  
The above types are only for reference, and you can consult local distributors for details.

为了改良，产品规格若有变更，恕不另行通知。为安全起见，使用之前，请仔细阅读使用手册。  
Specifications are subject to change for improvement without further notice. Please carefully read the operating manual before use for safety.