

BRUCE 布鲁斯

BRUCE 布鲁斯

400-8890-100
www.chinabruce.cn



X5S

薄厚可调的直驱包缝机

Thickness Adjustable Power Saving Overlock Machine



怕跳针 · 怕断线 · 就用布鲁斯
NO BREAK · NO SKIP

台州市布鲁斯缝制设备有限公司
TaiZhou Bruce Sewing Machine Co., Ltd.
浙江省台州市椒江区东海大道东段1008号2号楼
No.2 building No.1008 Eastern Section East Sea Road Jiaojiang
District Taizhou, Zhejiang.

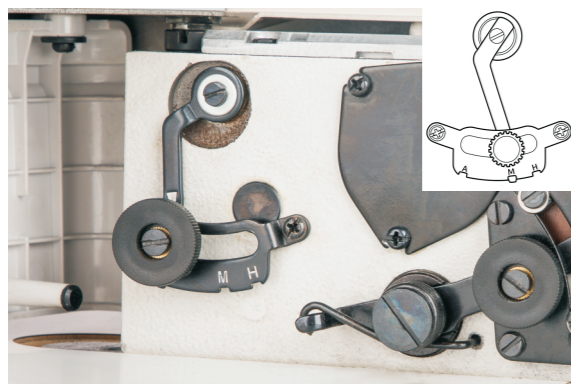
2019.12



怕跳针 · 怕断线 · 就用布鲁斯
NO BREAK · NO SKIP

X5S

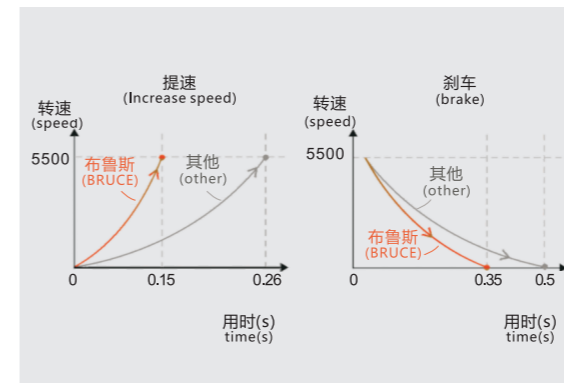
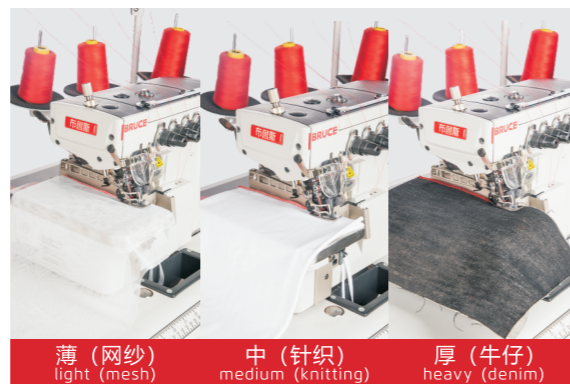
品名：薄厚可调的直驱包缝机
Thickness Adjustable Power Saving Overlock Machine



薄厚随意可调，适应范围更广

Thickness adjustable freely, wider range of adaptation

X5S配备专利技术，轻松实现薄、中厚料、厚料的切换，适应网纱、针织、牛仔等不同换款订单的需求。
X5S is equipped with Bruce patented technology, easily convert from light, medium to heavy materials. Meet different orders like mesh, knitting, denim etc.



超快起停响应，快速高效

Super quick response for start-brake, high efficiency

响应效率提升45%，从0到5500转/分仅需150毫秒；刹车响应时间控制350毫秒以内。

Response time improved 45%, from 0 to 5500 rpm only need 150ms, brake response time can control within 350ms.

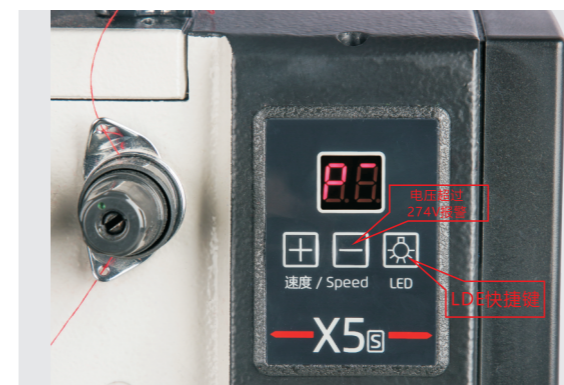


高效控油，清洁缝纫

Efficiently oil control, clean sewing

针杆采用全包式吸油装置，牙架特殊油封设计，高效阻挡机油，实现清洁缝纫。

Enclosed needle bar and feedbar special seal design, efficiently blocks oil-leakage and ensure clean sewing.

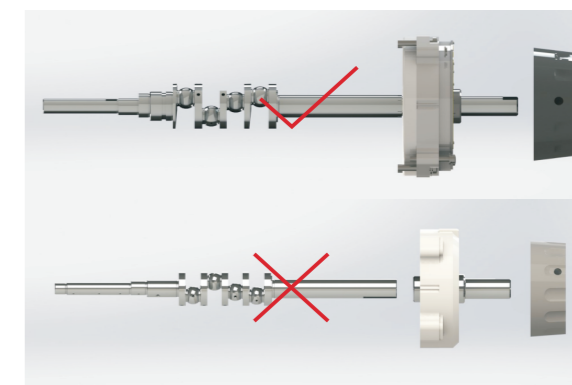


高低压保护，操作更安全

High-low voltage protection, safe operation

电压持续高于274V时自动停机，保护机器，简易操作面板，好学易用。

Automatic shutdown when the voltage is continuously higher than 274V to protect machine; smart design panel, easy to learn and use.



通轴传动，稳定可靠

One main shaft driving, stable and reliable

降低整机力矩，机运行稳定轻快，更加经久耐用。
Reduce machine torque, make the sewing fast, stable and durable.

技术参数 Specification

| X5S-2 | 接布机 Fabric joint seaming | 11# | 1 | 2 | — | 6 | 4 | 0.7-2 | 3.5 | 5500 | 525*360*510 | 28/36 | |
|-------------------|--------------------------------|-----|---|---|-----|-----|-----|---------|-----|------|-------------|-------|--|
| X5S-02*250 | 包边缝 Pocket binding seaming | 14# | 2 | 4 | 5 | — | 4 | 0.7-2 | 3.5 | 5500 | 525*360*510 | 28/36 | |
| X5S-3-02/233 | 3线基本缝 Plain seaming | 11# | 1 | 3 | — | 4 | 4 | 0.7-2 | 5 | 5500 | 525*360*510 | 28/36 | |
| X5S-3-82/233 | 3线倒回缝 Back latching | 11# | 1 | 3 | — | 4 | 4 | 0.7-2 | 5 | 5500 | 525*360*510 | 28/36 | |
| X5S-3-32R2/223 | 密排缝 Narrow stitch seaming | 9# | 1 | 3 | — | 1.5 | 4 | 0.7-2 | 5 | 5500 | 525*360*510 | 28/36 | |
| X5SWF-3-02/213 | 无纺布 Non-woven fabric | 14# | 1 | 3 | — | 4 | 8.5 | / | 5 | 6500 | 525*360*510 | 28/36 | |
| X5S-4-M03/333 | 4线基本缝 Plain seaming | 11# | 2 | 4 | 2 | 4 | 4.6 | 0.7-2 | 5.5 | 5500 | 525*360*510 | 28/36 | |
| X5S-4-M03/333/H/M | 4线厚料 Heavy duty | 11# | 2 | 4 | 2 | 4 | 4.6 | 0.7-2 | 5.5 | 5500 | 525*360*510 | 28/36 | |
| X5S-4-83/323 | 4线倒回缝 Back latching | 11# | 2 | 4 | 2 | 4 | 4.6 | 0.7-2 | 5.5 | 5500 | 525*360*510 | 28/36 | |
| X5SMJ-4-53/233 | 毛巾机 Towel seaming | 11# | 2 | 4 | 2 | 4 | 4 | 0.7-2 | 5 | 5500 | 525*360*510 | 28/36 | |
| X5S-5-03/333(3x4) | 3x4线迹 3x4 Stitch | 14# | 2 | 5 | 3 | 4 | 4 | 0.7-2 | 5 | 5500 | 525*360*510 | 28/36 | |
| X5S-5-03/233(5x5) | 5x5线迹 5x5 Stitch | 14# | 2 | 5 | 5 | 5 | 4 | 0.7-2 | 5 | 5500 | 525*360*510 | 28/36 | |
| X5S-5-A04/435 | 极厚料 Extra heavy duty | 19# | 2 | 5 | 5 | 6 | 5 | 0.8-1.5 | 7 | 5500 | 525*360*510 | 28/36 | |
| X5S-5-53/233 | 5线包条 Tape attaching seaming | 14# | 2 | 5 | 3 | 5 | 4 | 0.7-2 | 5 | 5500 | 525*360*510 | 28/36 | |
| X5S-5-M04/435 | 5线牛仔厚料 Especially for denim | 19# | 2 | 5 | 5 | 6 | 5 | 0.8-1.5 | 7 | 5500 | 525*360*510 | 28/36 | |
| X5S-6-03/333 | 6线基本缝 Plain seaming | 11# | 3 | 6 | 3x2 | 4 | 4 | 0.7-2 | 5 | 5500 | 525*360*510 | 28/36 | |

注 (Note) :

H/M: 薄厚适应性广; 选配KS (侧吸) /KH (横吸), 整机体积: 525*360*630 (mm), 整机重量 28/39 (kg)。

H/M: Suitable for light and heavy; optional device KS (vertical suction device) and KH (horizontal suction device); machine volume: 525*360*630 (mm), machine weight: 28/39 (kg).