

# OLX 600 - 900

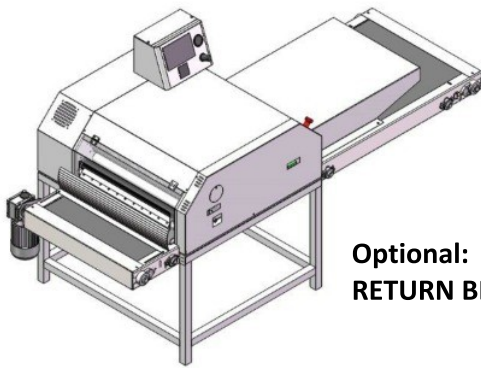
## Technical characteristics

Small productions fusing machine, suitable for jackets, shirts and leather garments.

**Pneumatic pressure from 0 to 60 Newton/sqcm**, self belt adjustment, seamless antistatic belts.

Low electrical absorption 2,3 Kw/h at 230-380V+N, upper and lower heating elements, heating surface length 700 mm.

Antistatic graphite scraper blades, 4 internal and external cleaning systems, high temperature bearings and Viton pneumatic material, optional 7" Touch Screen control panel.



**Optional:  
RETURN BELT DEVICE**

**NEW !!!!! TCX control Panel INCLUDED.**



## Technical characteristics

Model	OLX600	OLX900
Voltage	3X230V – 3X380V+N	3X230V – 3X380V+N
Speed	4-27 sec. / 1,6 a 11 mt.min	4-27 sec. / 1,6 a 11 mt.min
Pressure	0-60 Newton/cm <sup>2</sup>	0-60 Newton/cm <sup>2</sup>
Temperature	0-200 °C	0-200 °C
Useful belt	620 mm	620 mm
Dimensions	1500X1100X1300 mm	1500X1400X1300 mm
Weight	Kg. 250	Kg. 300
Air consumption	2,5 Lt./min	2,5 Lt./min
Air Pressure	7 Bar	7 Bar
Electric consumption	2,3 Kw/h	4 Kw/h