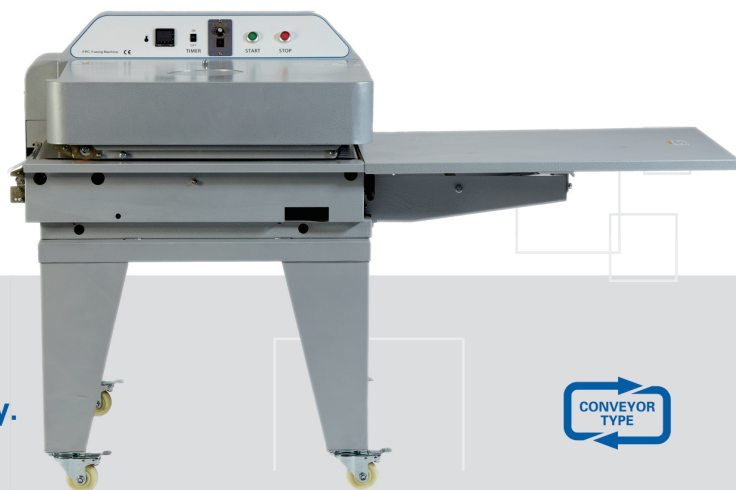


粘合机 Fusing Machine

FPC-450

Rehoo®



专为纺织及服装工业设计
Designed for textile and garments industry.



特点

经本机粘合后的衣料具有平整牢固,不起皱,耐洗涤等特点。

FEATURES

The clothing looks more flatly, firmly and not any corrugation appeared if it be worked by this machine.

用途

粘合机是服装行业中粘合衬与面料不可缺少的理想设备,可以对各类面料缩水、烘干、烫平定型之用。

PURPOSE

Fusing press machine is the best and necessary equipment to fusing and press the inside fabric and surface material together in the rag trade.

FPC-450 技术参数 FPC-450 SPECIFICATIONS

型号 Model	FPC-450
粘合压力 Pressure	0.15MPa
氟带宽度 Fusing belt width	450mm
加热温度 Heating temperature	常温~200°C (Normal~200°C)
电源 Power	220V 50Hz
电加热功率 Power of electric heating	4.5kw
外形尺寸L*W*H Dimensions L*W*H	1670mm × 1000mm × 345mm
重量 Net Weight	170kg

REHOO INDUSTRIAL LIMITED

www.rehoo.com.hk

Hong Kong Headquarter Address:
Unit 3,14/F, Wah Wai Centre,
38-40 Au Pui Wan St, Fotan, Shatin
Tel: +852-37412206
Fax: +852-37412207

Shanghai Branch Address:
No.88 Henjiang Road, Jiuting Town
Songjiang, 201615
Tel: +86-21-67690707 33522216
Fax: +86-21-67691357
E-mail: info@rehoo.com.hk